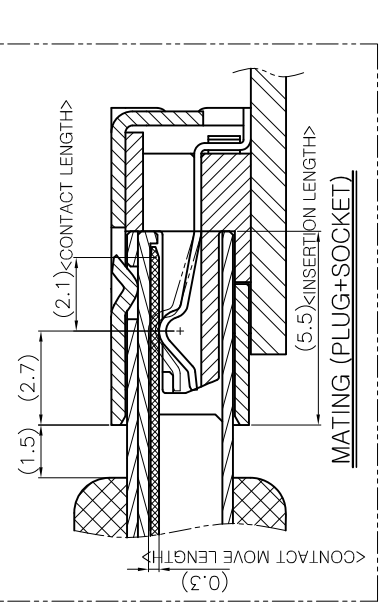
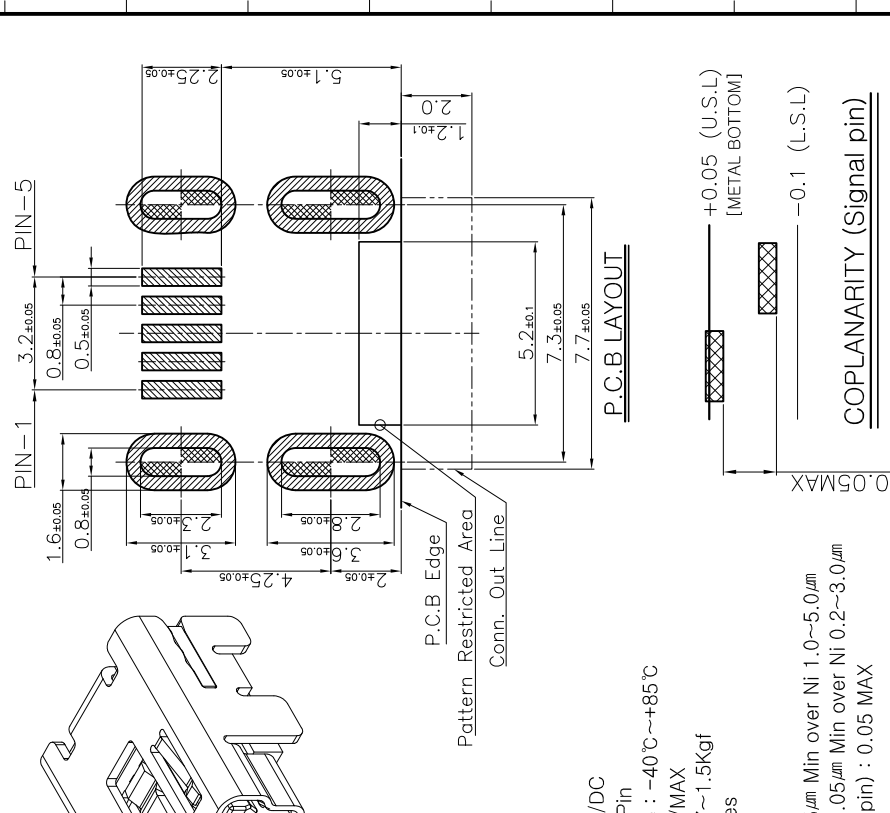


Rev. No.	Description of Revision	Date	Name	Approved	ECN No.
△X	도면 REVIEW	08.01.17	Y.H.Kim	최경용	
△X1	치수 위치 변경	08.02.19	Y.H.Kim	최경용	



*** Specifications**

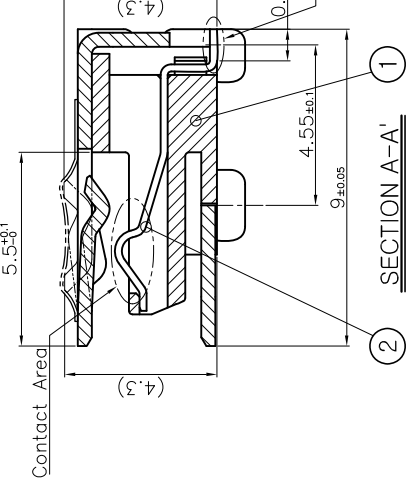
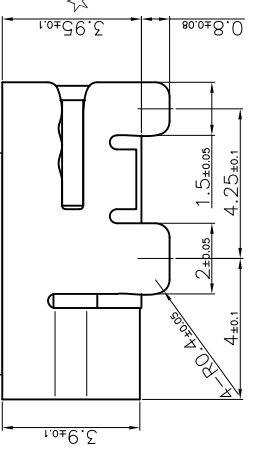
- 1. Voltage Rating : 30V_{AC}/DC
- 2. Current Rating : 1.0A/Pin
- 3. Operating temperature : -40℃~+85℃
- 4. Mating Force : 1.5Kgf/MAX
- 5. Un-Mating Force : 0.7~1.5Kgf
- 4. Durability : 5,000 cycles

*** Plating**

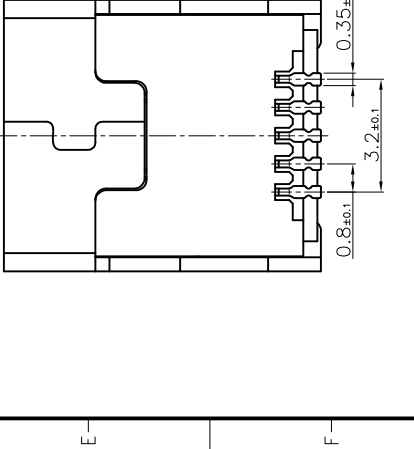
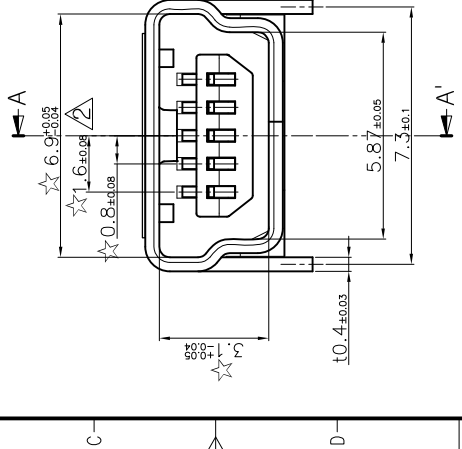
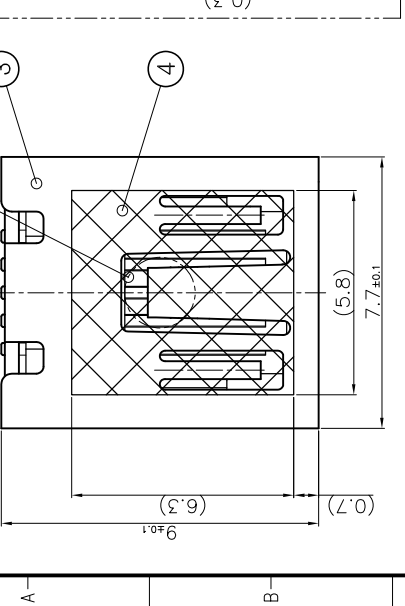
- 1. CONTACT
 - Contact Area : Au 0.75 μ m Min over Ni 1.0~5.0 μ m
 - Lead Area : Au Flash 0.05 μ m Min over Ni 0.2~3.0 μ m
- 2. COPLANARITY (Signal pin) : 0.05 MAX
 - After reflow 0.08 MAX
- 3. METAL COVER : Ni 1.0~5.0 μ m

*** NOTE**

- 1. ☆ : C.T.Q



Vacuum Area



4	KAPTON TAPE	DS-703L																			
3	METAL COVER	C5210																			
2	CONTACT	C5210																			
1	HOUSING	HTN																			
No	Descriptions	Material	Finish	Remarks																	
			Black Color	UL94V-0																	
General Tolerance		Scale	N/S	Units	mm	Sheet															
Dimension		mm (°)	Date	2007.11.16	1 of 1																
X	± 0.2	Drawn	Design	Checked	Reviewed	Approved															
X.X	± 0.1	Y.H.Kim																			
X.XX	± 0.05																				
X.XXX	± 0.01																				
ANGLE	± 1°																				

TITLE
HI05-AG0120S
Mini-USB Socket (B)

Customer Drawing

SW No. _____
Rev. _____

HYUP JIN I&C CO., LTD. DWG No. HI05-AG0120S-A1

HYUP JIN I&C CO., LTD.

HYUP JIN I&C CO., LTD.

HYUP JIN I&C CO., LTD.

HYUP JIN I&C CO., LTD.

HYUP JIN I&C CO., LTD.

HYUP JIN I&C CO., LTD.