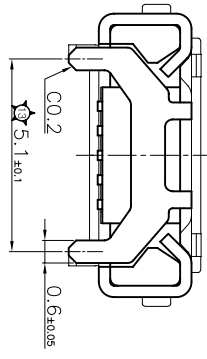
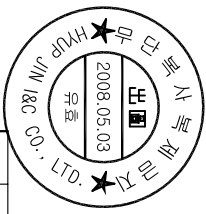
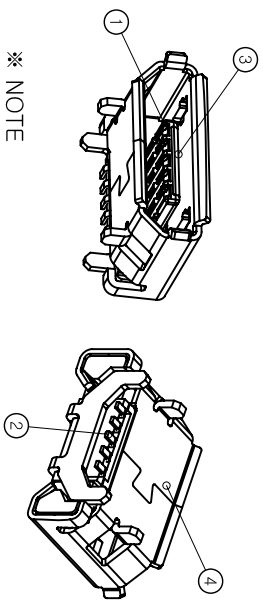
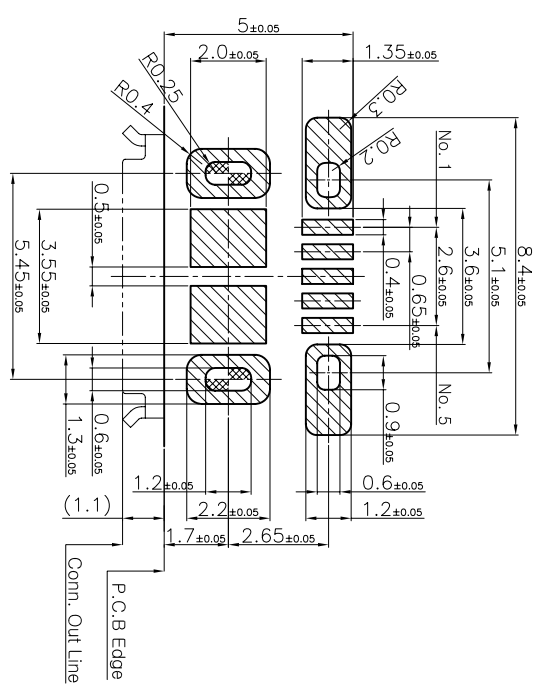


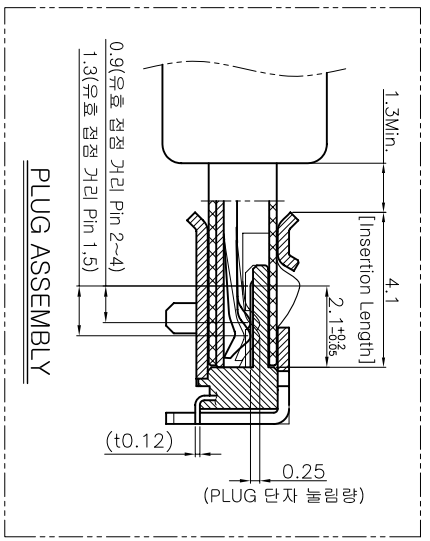
COPLANARITY (Signal pin)



P.C.B LAYOUT



- ※ NOTE
 1. PLATING
 1) CONTACT
 - Contact Area : Au 0.75µm Min over Ni 2.0~5.0µm.
 - Lead Area : Au 0.05µm Min over Ni 0.2~3.0µm.
 2) METAL COVER : Ni 1.0~5.0µm.
 3. ☆ : C.T.Q



No	Descriptions	Material	Finish	Remarks
4	METAL COVER	STS304	Note. 1	t0.3
3	GUARD PLATE	STS304	Cleansing	t0.12
2	CONTACT	M702	Note. 1	t0.12
1	HOUSING	LCP	Black Color	UL94V-0

General Tolerance	Scale	mm	Sheet
Dimension	Date	2008.01.08	1 of 1
X	Drawn	M. Y. LEE	Checked
X.X	Design		Reviewed
X.XX	Design		Approved
X.XXX	Design		Approved
X.XXXX	Design		Approved
ANGLE	Design		Approved

TITLE	Customer Drawing
H105-AG0272	Micro-USB Socket (B)
H105-AG0272-A1	

