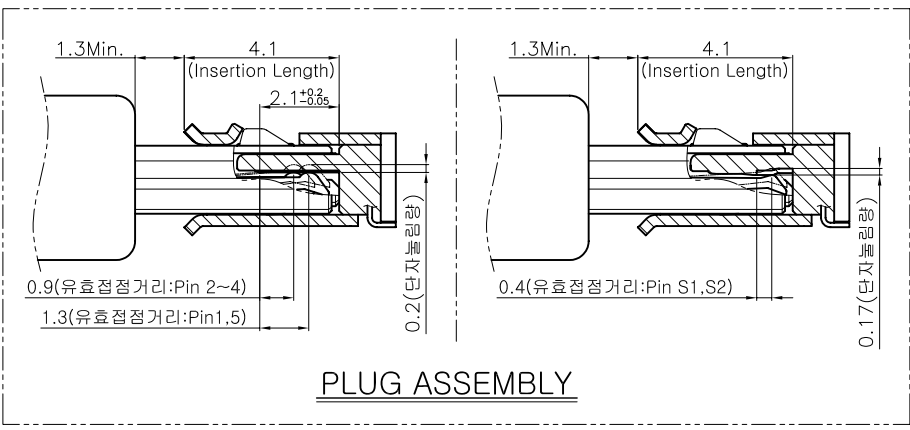
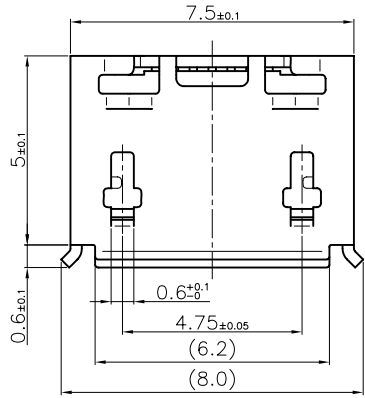
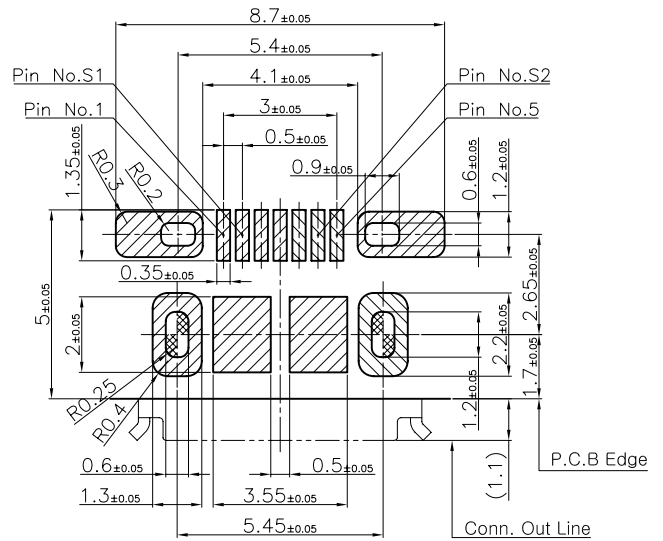


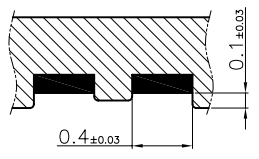
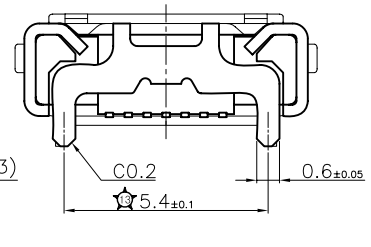
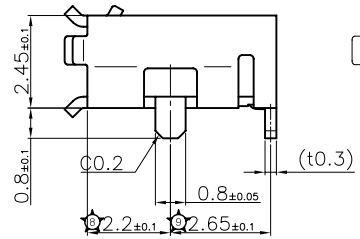
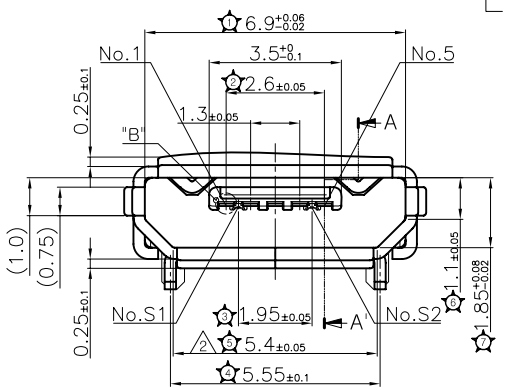
Rev No.	Description of Revision	Date	Name	Approved	ECN No.
△X 1	PLUG 삽입부 형상 변경 (고객 요청)	09.01.05	MUN		



PLUG ASSEMBLY

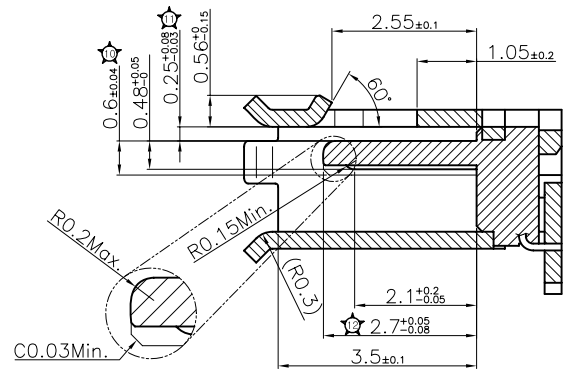
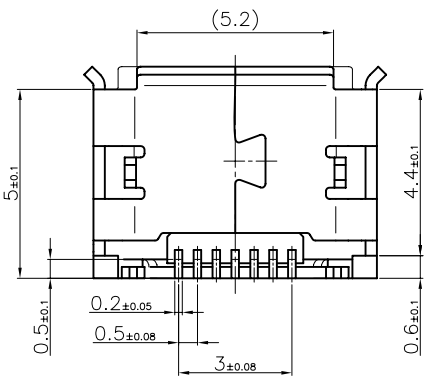
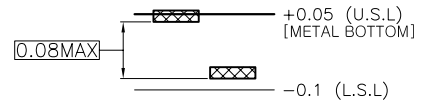
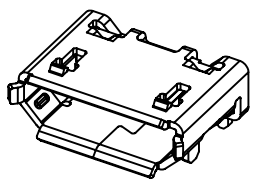


P.C.B LAYOUT



DETAIL B

- ※ NOTE
- PLATING
 - CONTACT
 - Contact Area : Au 0.75 μ m Min over Ni 2.0~5.0 μ m.
 - Lead Area : Au 0.05 μ m Min over Ni 0.2~3.0 μ m.
 - METAL COVER : Ni 1.0~5.0 μ m.
 - ☆ : C.T.Q
 - COPLANARITY (Signal pin) : 0.08 MAX



SECTION A-A'

No	Descriptions	Material	Finish	Remarks
4	METAL COVER	STS304	Note. 1	t0.3
3	GUARD PLATE	STS304	Cleansing	t0.12
2	CONTACT	C7025	Note. 1	t0.12
1	HOUSING	LCP	Black Color	UL94V-0

General Tolerance	Scale	N/S	Units	mm	Sheet	TITLE	Customer Drawing	
Dimension	mm (°)	Date	2008. 02. 26	1 of 1				HY07-AB0700 MMI-7P (USB) Socket
X.X	± 0.2	Drawn	J. H. MUN	Checked	Reviewed	Approved		
X.XX	± 0.1						SW No.	
X.XXX	± 0.05						DWG No.	HY07-AB0700-A1
ANGLE	± 1°						HYUP JIN I&C CO., LTD.	