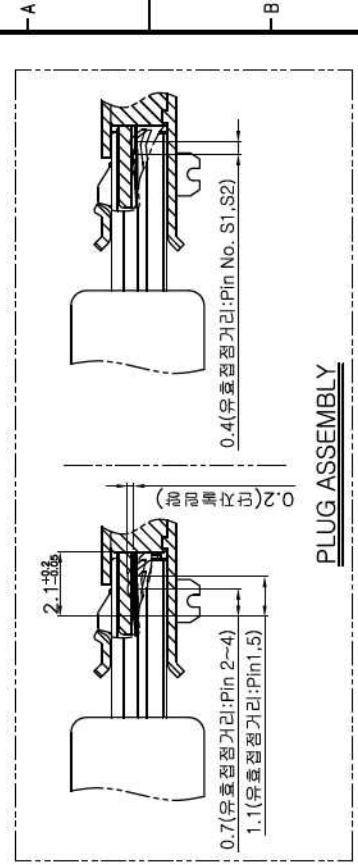
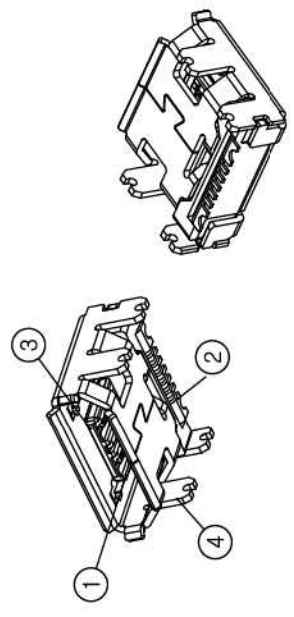


Rev No.	Description of Revision	Date	Name	Approved	ECN No.
△X1	Mold 관리자 변경	10.12.23	J.Y PARK		101224-01

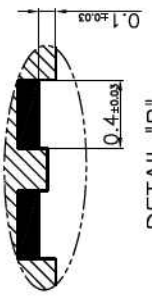


P.LUG ASSEMBLY

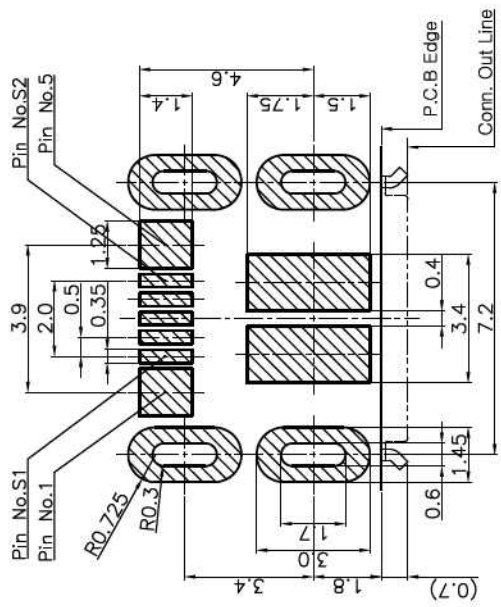


※ NOTE

1. PLATING
 - 1) CONTACT
 - Contact Area : Au 0.75 μ m Min. over Ni 2.0~5.0 μ m.
 - Lead Area : Au 0.05 μ m Min. over Ni 0.2~3.0 μ m.
 - 2) METAL COVER
 - Sn 1.0~3.0 μ m over Ni 0.2~3.0 μ m.(Reflow Finish)
2. ☆ : C.T.Q
3. COPLANARITY (Signal pin) : 0.08 MAX
 - +0.05 (U.S.L)
 - [METAL BOTTOM]
 - 0.08MAX
 - -0.1 (L.S.L)

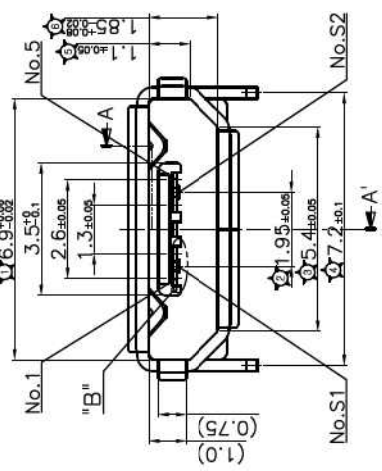


DETAIL "B"

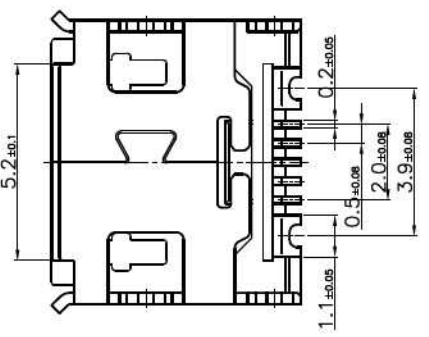
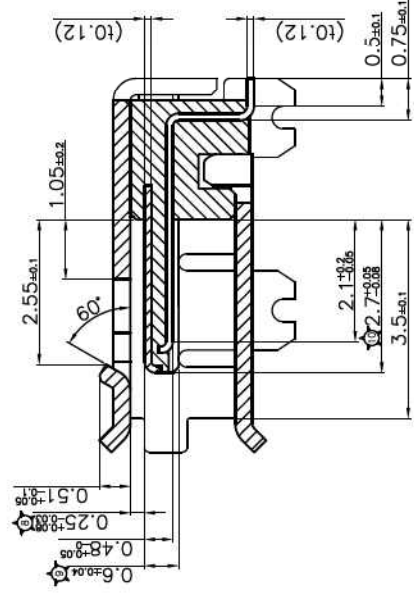


P.C.B LAYOUT

General Tolerance : ± 0.05



SECTION A-A'



4	METAL COVER	Stainless Steel	Note. 1	t0.3	
3	GUARD PLATE	Stainless Steel	Cleansing	10.12	
2	CONTACT	Copper Alloy	Note. 1	10.12	
1	HOUSING	LCP	Black Color	UL94V-0	
No	Descriptions	Material	Finish	Remarks	
General Tolerance		Scale	N/S	Units	Sheet
Dimension		mm (°)	Date	2010. 06. 03	1 of 1
X	± 0.2	Drawn	Design	Checked	Reviewed
X-X	± 0.1	J. H. MUN	-	-	Approved
X-XX	± 0.05	HYUP JIN I&C CO., LTD.			
X-XXX	± 0.01	Customer Drawing			
ANGLE	$\pm 1^\circ$	SW No.			
		DWC No. HY07-AB0710-A1			
		Rev. 1			